

# Power Splicer/Stud Blocks

## 600 Volts AC/DC

### Specifications:

- Connector, High Conductive Aluminum, Tin Plated, Rated for Copper and Aluminum Wire
- Stud, Brass, Tin Plated, Metric (M) Studs, Steel - intended for wires terminated with crimp lugs
- Multiple wire rating - refer to datasheets for details
- UL Recognized File No. XCFR2.E62806
- CSA Certified File No. LR19766
- **CE** - Up to 1000 Volts AC/DC (does not apply to 133X559, 133X558, and 143X559)
- Flexible Stranded Wire Compliant
- RoHS Compliant



1433559



1453599

Replace "X" with # of poles (0 = Adder)

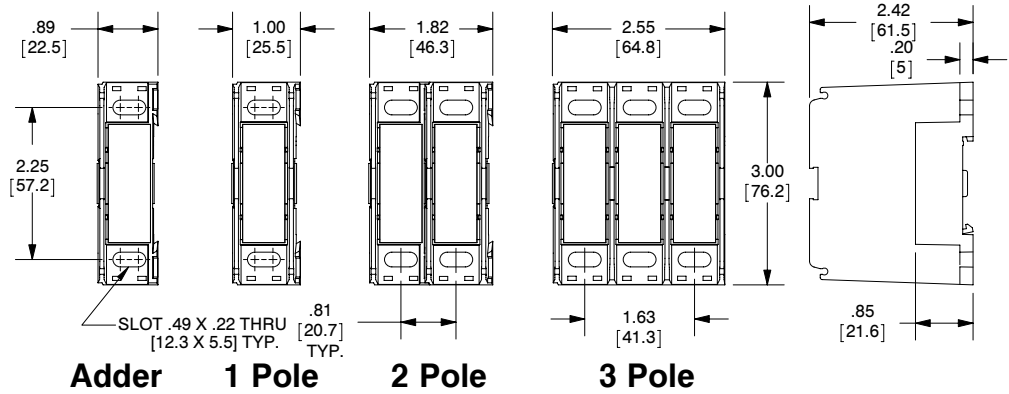
Catalog #	Hinge Cover	Poles (X)	Amps	MATERIAL		LINE SIDE			LOAD SIDE		
				Insulator	Conn.	Wire Range AWG/kcmil	Openings Per Pole	Connector Configuration	Wire Range AWG/kcmil	Openings Per Pole	Connector Configuration
141X203		1/2/3/4	115	Plastic	AL	#2 - #14 AWG	1		10-32 X .60 Stud	1	
132X574	CH	0/1/2/3	175	Plastic	AL	2/0 - #14 AWG	1		1/4-20 x 1/2	1	
132X474	CH	0/1/2/3	175	Plastic	AL	2/0 - #14 AWG	1		M6 x 13	1	
142X574		1/2/3	175	Phenolic	AL	2/0 - #14 AWG	1		1/4-20 x 1/2	1	
143X590		1/2/3	175	Phenolic	AL	2/0 - #14 AWG	1		1/4-20 x 1 3/8	1	
143X559		1/2/3	310	Phenolic	AL	350 kcmil - #6 AWG	1		3/8-16 x 11/8 Stud	1	
133X559	CH	1/2/3	310	Plastic	AL	350 kcmil - #6 AWG	1		3/8-16 x 1 1/4	1	
133X558	CH	1/2/3	310	Plastic	AL	350 kcmil - #6 AWG	1		M10 x 30	1	
144X569		1/2/3	380	Phenolic	AL	500 kcmil - #4 AWG	1		1/4-20 x 1 1/16	2	
144X575		1/2/3	380	Phenolic	AL	500 kcmil - #4 AWG	1		3/8 - 16 x 1 5/16	1	
145X599		1/2/3	760	Phenolic	AL	500 kcmil - #4 AWG	2		3/8 - 16 x 1 5/16	2	
145X610		1/2/3	760	Phenolic	AL	500 kcmil - #4 AWG	2		1/2-13 x 1 5/16	1	

CH = Block is also available with hinge cover attached - include "CH" at end of part number when ordering (not available on Adder blocks) - See page 58 for available covers

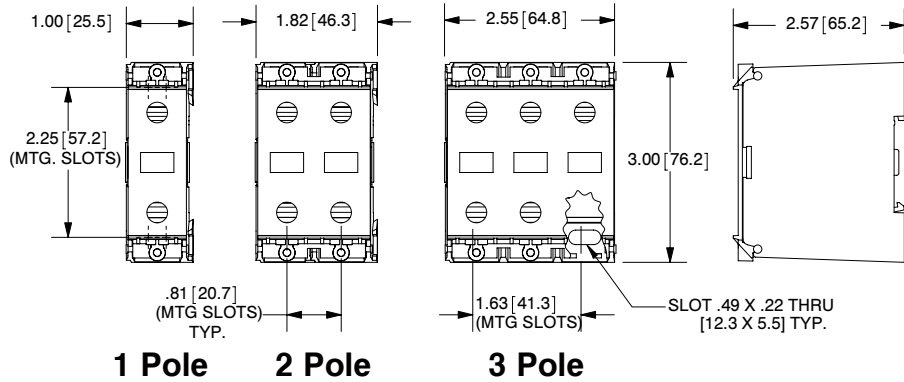
See pages 55-57 for dimensional information

# Power Terminal Block Dimensions

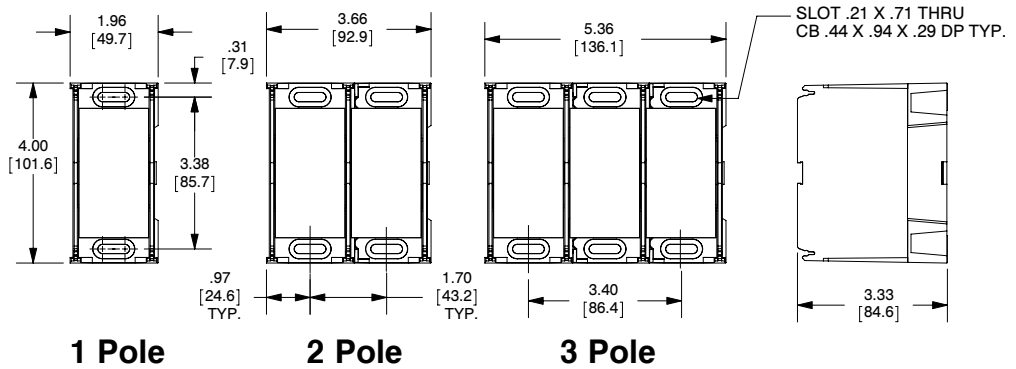
## 132 SERIES



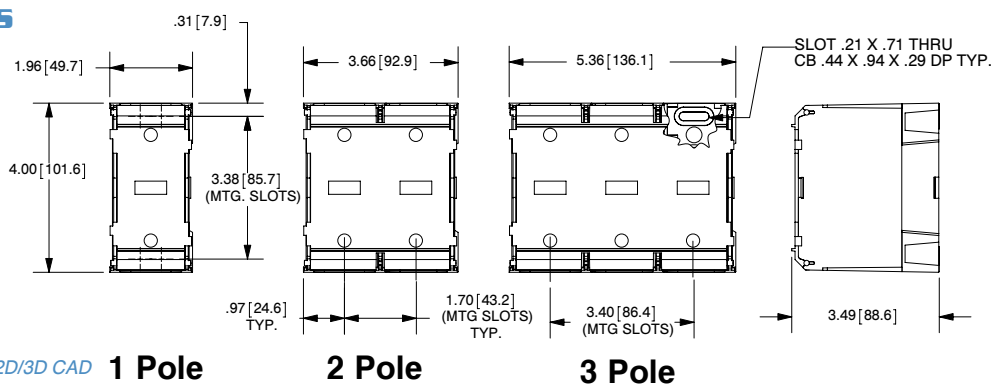
## 132 CH SERIES



## 133 SERIES



## 133 CH SERIES

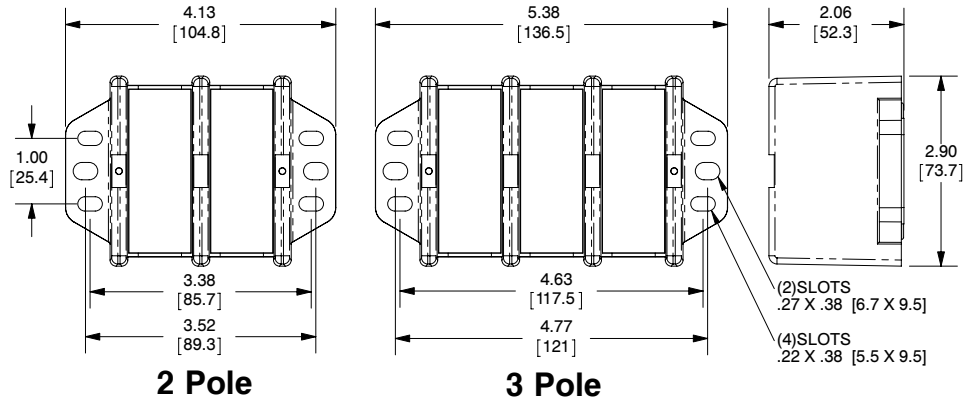


For electronic drawings or 2D/3D CAD data, submit request at [www.marathonsp.com/drawings.html](http://www.marathonsp.com/drawings.html)

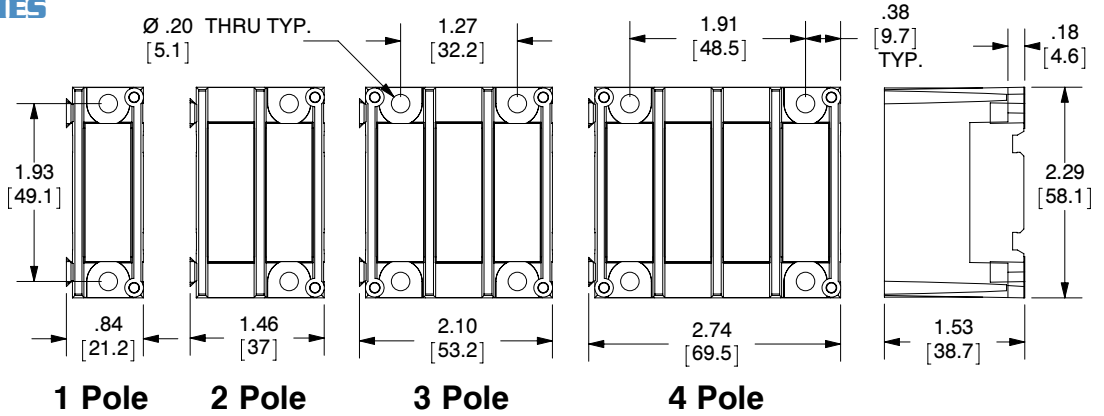
Datasheets available at [marathonsp.com](http://marathonsp.com)

# Power Terminal Block Dimensions

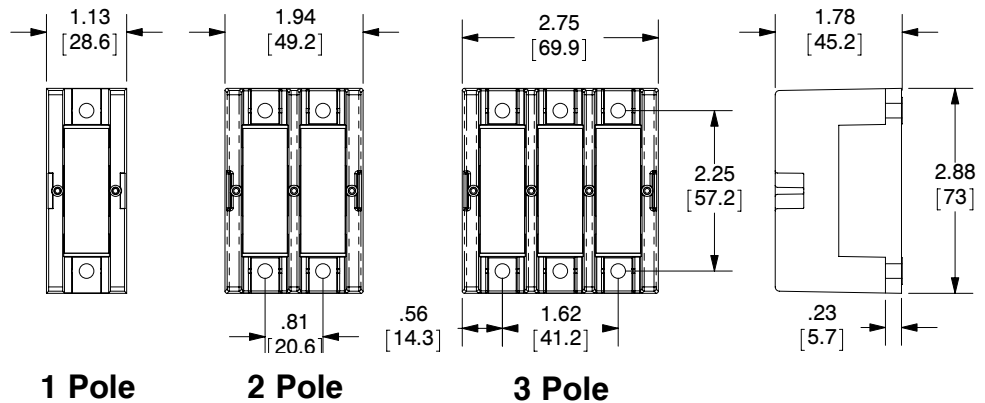
## 140 SERIES



## 141 SERIES



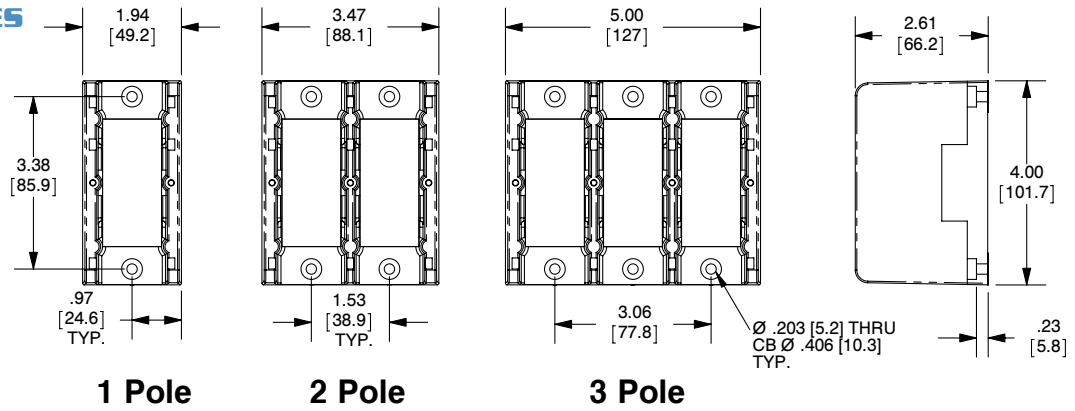
## 142 SERIES



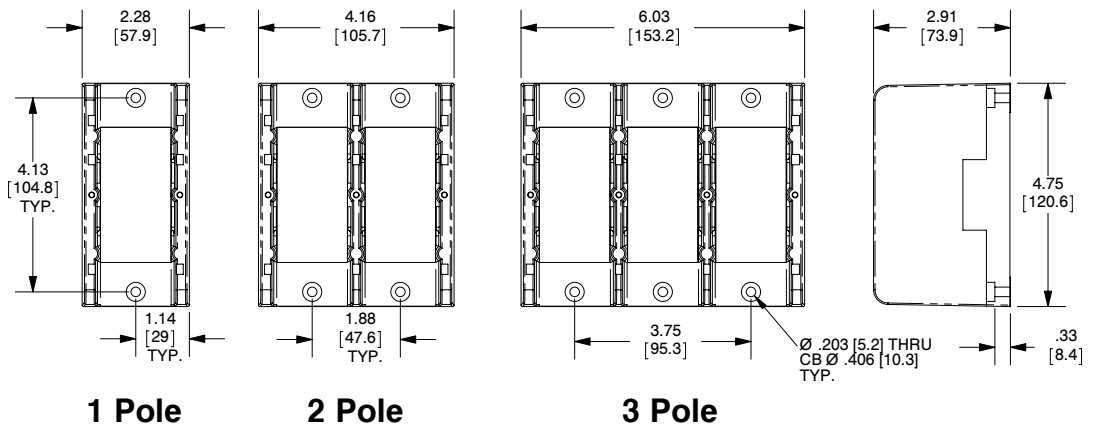
For electronic drawings or 2D/3D CAD data, submit request at [www.marathonsp.com/drawings.html](http://www.marathonsp.com/drawings.html)

# Power Terminal Block Dimensions

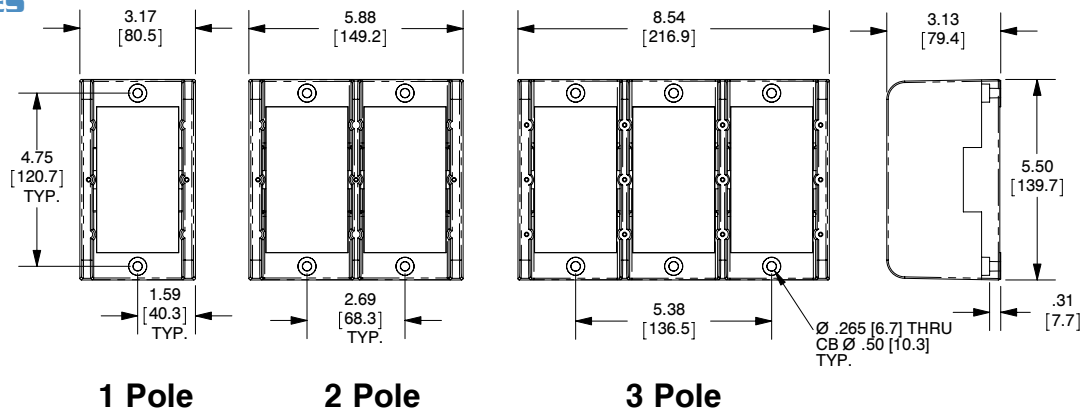
## 143 SERIES



## 144 SERIES



## 145 SERIES



For electronic drawings or 2D/3D CAD data, submit request at [www.marathonsp.com/drawings.html](http://www.marathonsp.com/drawings.html)